



# FIBER OPTIC FITTINGS

ALDA

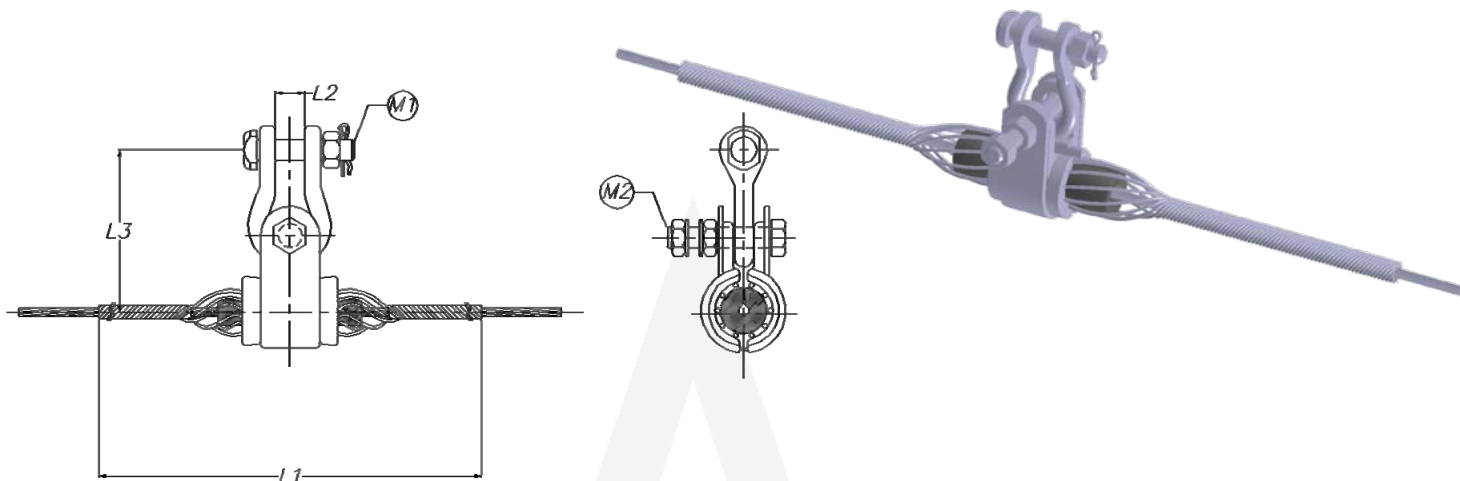
**ALDA MANUFACTURING CO.**

**No. 7, Maryam Alley, Hakim Highway, Tehran-Iran ■ Postal Code: 1473666751**

**Tel: (+9821) 44003214-6 ■ Fax: (+9821) 44003217**

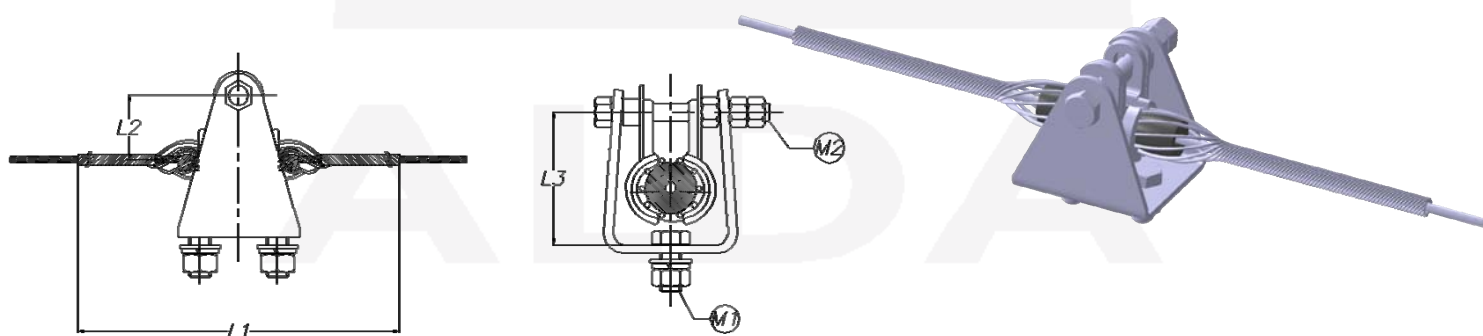
**Email: [Info@AldaCompany.com](mailto:Info@AldaCompany.com)**

## SUSPENSION SETS



No.	Part No.	Conductor Diameter (mm)	Dimensions (mm)			M1	M2	Weight (Kg)
			L1	L2	L3			
1	GSO-OPGW 10.5	10.5	1800	22	119	16	16	3
2	GSO-OPGW 12	12	1800	22	119	16	16	3
3	GSO-OPGW 13.5	13.5	1800	22	119	16	16	3

## SUSPENSION SETS WITH BRACKET



No.	Part No.	Conductor Diameter (mm)	Dimensions (mm)			M1	M2	Weight (Kg)
			L1	L2	L3			
1	GSOB-OPGW 10.5	10.5	1800	52	120	20	20	5

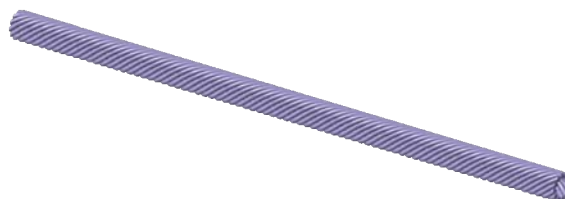
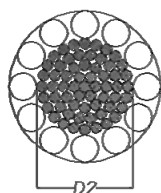
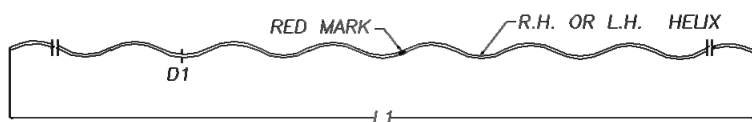
**ALDA MANUFACTURING CO.**

No. 7, Maryam Alley, Hakim Highway, Tehran-Iran ■ Postal Code: 1473666751

Tel: (+9821) 44003214-6 ■ Fax: (+9821) 44003217

Email: [Info@AldaCompany.com](mailto:Info@AldaCompany.com)

**ARMOUR RODS**  
For suspension sets



No.	Part No.	Conductor	Dimensions (mm)			No. Of Rods Per Set	Lay Direction	Weight Per Set (Kg)
			L1	D1	D2			
1	AR.10.05.S	OPGW (Ø10.05mm)	1800	3.7	10.05	10	L.H.	0.54
2	AR.10.50	OPGW (Ø10.5mm)	1800	3.7	10.5	10	L.H.	0.54
3	AR.11.99	OPGW (Ø12mm)	1800	3.7	12	11	L.H.	0.66
4	AR.13.35-S	OPGW (Ø13.35mm)	1800	4.2	13.35	11	L.H.	0.76
5	AR.13.50-S	OPGW (Ø13.50mm)	1800	4.2	13.5	11	L.H.	0.8
6	AR.13.50-S2	OPGW (Ø13.50mm)	1800	4.2	13.5	11	R.H.	0.8
7	AR.14.90-S	OPGW (Ø14.90mm)	1800	4.6	14.9	11	R.H.	0.94
8	AR.16.00-S	OPGW (Ø16mm)	2000	4.6	16	12	R.H.	1.14
9	AR.18.10-S	OPGW (Ø18.10mm)	2000	4.6	18.1	13	R.H.	1.2
10	AR.20.06	OPGW (Ø20.6mm)	2000	6.4	20.6	11	L.H.	2.07

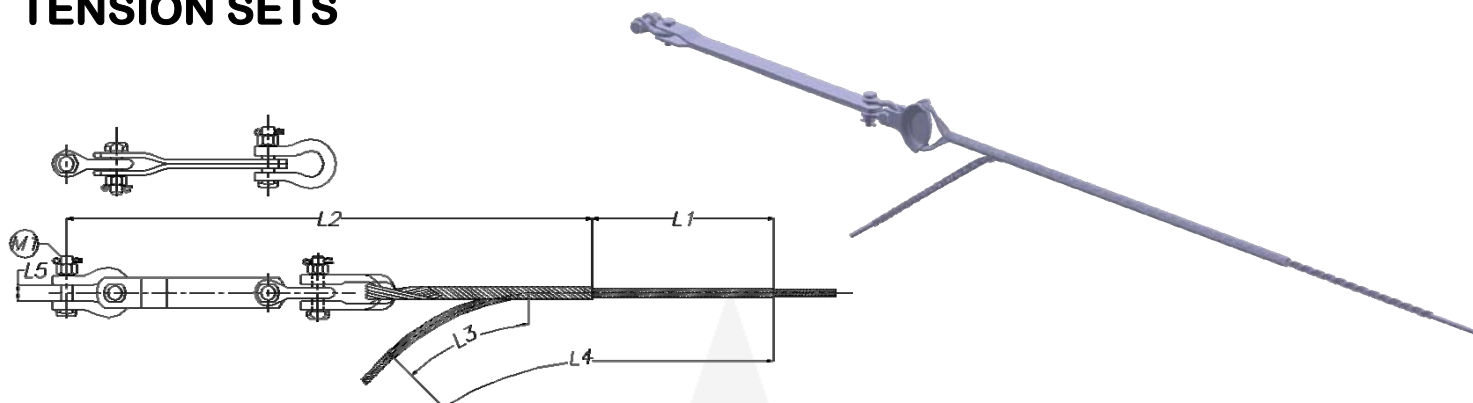
**ALDA MANUFACTURING CO.**

No. 7, Maryam Alley, Hakim Highway, Tehran-Iran ■ Postal Code: 1473666751

Tel: (+9821) 44003214-6 ■ Fax: (+9821) 44003217

Email: [Info@AldaCompany.com](mailto:Info@AldaCompany.com)

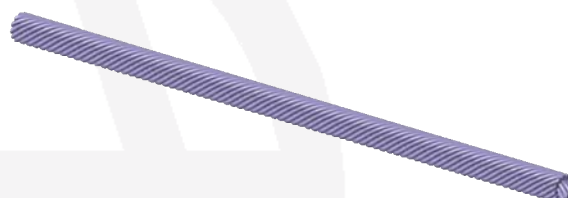
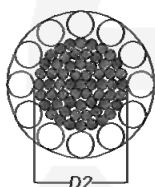
## TENSION SETS



No.	Part No.	Conductor Diameter (mm)	Dimensions (mm)					M1	Weight (Kg)
			L1	L2	L3	L4	L5		
1	GTO-OPGW 10.5	10.5	750	1944	780	2330	22	16	8
2	GTO-OPGW 12	12	734	2144	866	2600	22	16	8
3	GTO-OPGW 13.5	13.5	805	2444	845	2950	22	16	10

## ARMOUR RODS

For tension sets



No.	Part No.	Conductor	Dimensions (mm)			No. Of Rods Per Set	Lay Direction	Weight Per Set (Kg)
			L1	D1	D2			
2	AR.10.05	OPGW (Ø10.05mm)	2330	3.1	10.05	12	R.H.	0.62
2	AR.09.90	OPGW (Ø10.5mm)	2330	3.1	10.5	12	R.H.	0.62
3	AR.11.96	OPGW (Ø12mm)	2600	3.1	12	13	R.H.	0.77
4	PR.13.35	OPGW (Ø13.35mm)	2950	3.5	13.35	12	R.H.	0.95
5	PR.13.50-2	OPGW (Ø13.50mm)	2950	3.5	13.50	13	L.H.	1.09
6	PR.14.90	OPGW (Ø14.90mm)	3430	3.5	14.90	14	L.H.	1.36
7	PR.16.00	OPGW (Ø16mm)	3550	3.5	16	14	L.H.	1.44
8	PR.17.00	OPGW (Ø17mm)	3550	3.5	17	15	L.H.	1.56
9	PR.18.10	OPGW (Ø18.10mm)	3550	3.5	18.10	16	L.H.	1.6

ALDA MANUFACTURING CO.

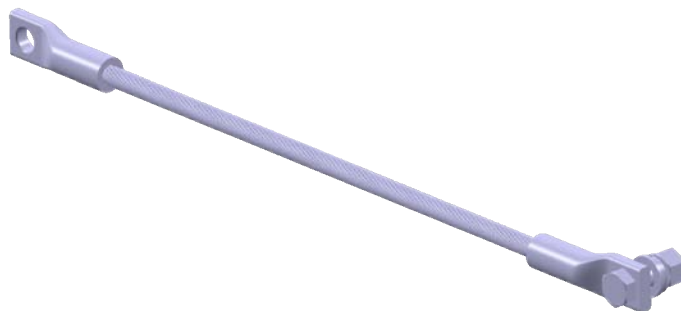
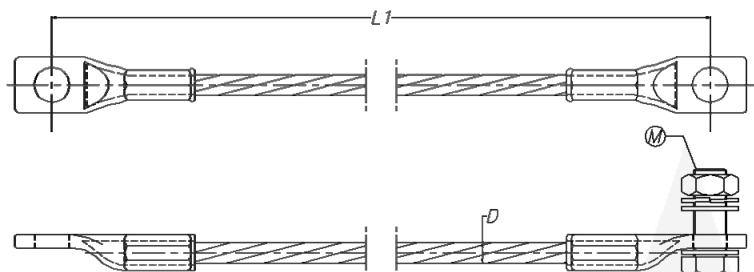
No. 7, Maryam Alley, Hakim Highway, Tehran-Iran ■ Postal Code: 1473666751

Tel: (+9821) 44003214-6 ■ Fax: (+9821) 44003217

Email: [Info@AldaCompany.com](mailto:Info@AldaCompany.com)

## EARTHING BONDS

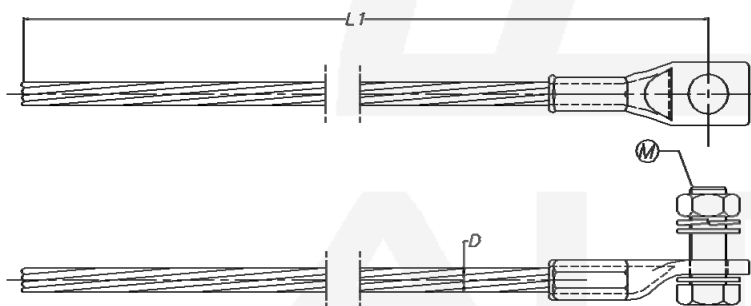
### Type 1



No.	Part No.	Dimensions (mm)		M	Tightening Torque (Nm)	Weight (Kg)
		L1	D			
1	EB.73.750	750	11	16	110	0.33
2	EB.118.750	750	13.87	16	110	0.43

## EARTHING BONDS

### Type 2



No.	Part No.	Dimensions (mm)		M	Tightening Torque (Nm)	Weight (Kg)
		L1	D			
1	EB.73.1500	1500	11	16	110	0.45
2	EB.118.1500	1500	13.87	16	110	0.64

ALDA MANUFACTURING CO.

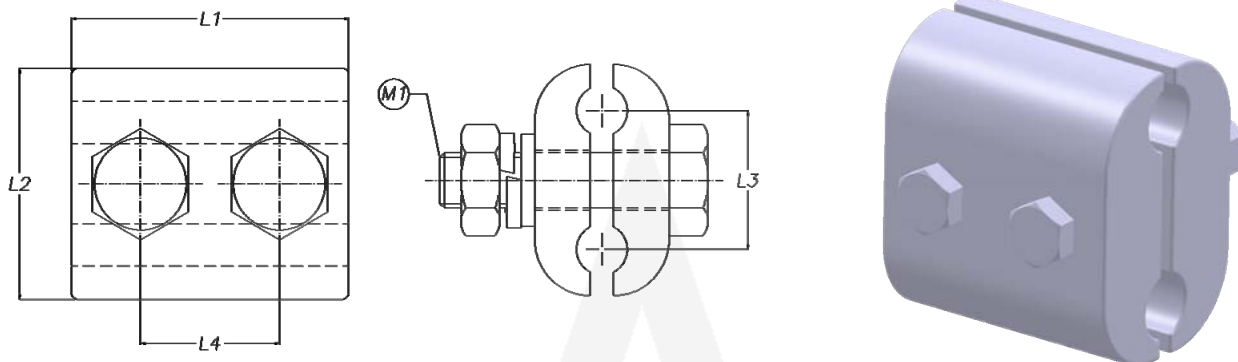
No. 7, Maryam Alley, Hakim Highway, Tehran-Iran ■ Postal Code: 1473666751

Tel: (+9821) 44003214-6 ■ Fax: (+9821) 44003217

Email: [Info@AldaCompany.com](mailto:Info@AldaCompany.com)

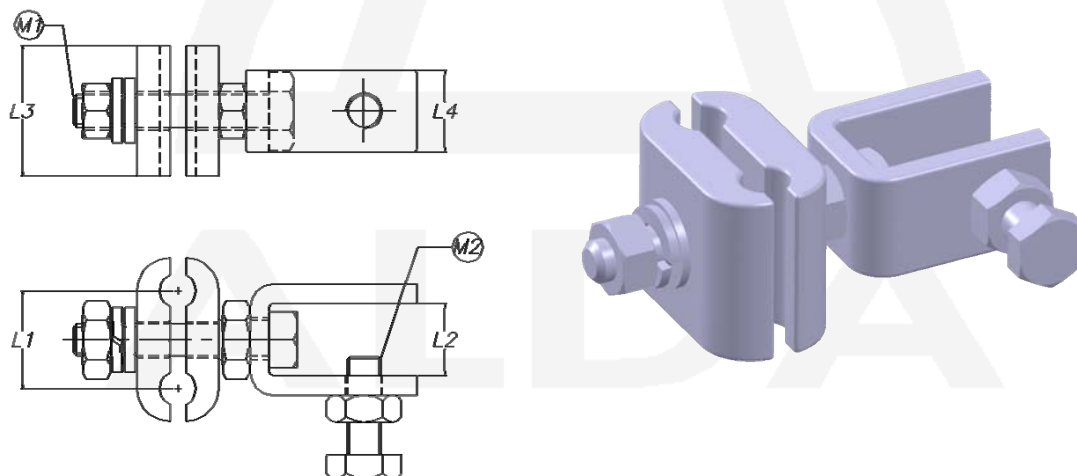
## PARALLEL GROOVE CLAMPS

For aluminum & alumoweld OPGW & earth wires



No.	Part No.	Conductor Range (mm)	Dimensions (mm)				M1	Weight (Kg)
			L1	L2	L3	L4		
1	PG.90.90.3	Ø8 ~ Ø12.5	60	50	30	30	10	0.25
2	PG.90.90.4	Ø12 ~ Ø14	60	50	30	30	10	0.25

## DOWN LEAD CLAMPS



No.	Part No.	Conductor Range (mm)	Dimensions (mm)				M1	M2	Tightening Torque (Nm)	Weight (Kg)
			L1	L2	L3	L4				
1	FC.85.85	Ø8.5 ~ Ø10.8	30	22	40	25	10	10	20	0.34
2	FC.110.110	Ø10.5 ~ Ø12.5	30	22	40	25	10	10	20	0.34

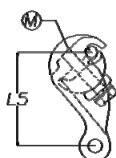
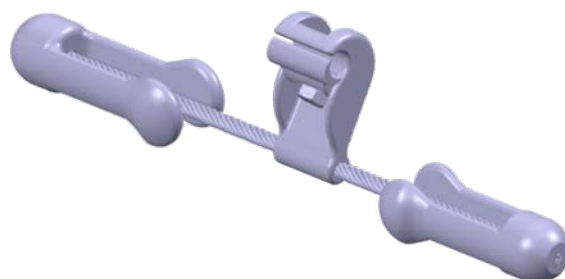
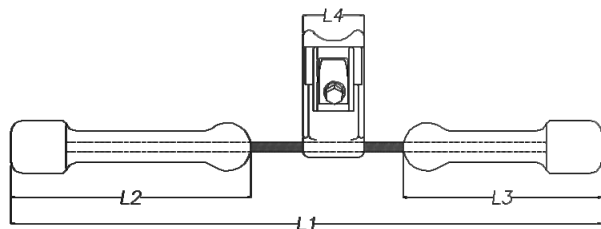
ALDA MANUFACTURING CO.

No. 7, Maryam Alley, Hakim Highway, Tehran-Iran ■ Postal Code: 1473666751

Tel: (+9821) 44003214-6 ■ Fax: (+9821) 44003217

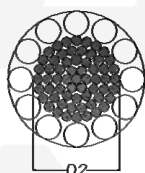
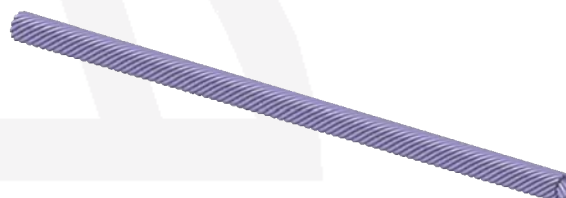
Email: [Info@AldaCompany.com](mailto:Info@AldaCompany.com)

## STOCKBRIDGE DAMPERS



No.	Part No.	Conductor Range (mm)	Dimensions (mm)					M	Min. Tightening Torque (Nm)	Weight (Kg)
			L1	L2	L3	L4	L5			
1	SD.10.18	Ø14 ~ Ø18.5	310	105	80	54	57	12	50	1.05
2	SD.10.22	Ø18.5 ~ Ø22.5	310	105	80	54	57	12	50	1.05

## For dampers ARMOUR RODS



No.	Part No.	Conductor	Dimensions (mm)			No. Of Rods Per Set	Lay Direction	Weight Per Set (Kg)
			L1	D1	D2			
1	AR.09.91	OPGW (Ø10.5mm)	450	3.1	10.5	11	L.H.	0.11
2	AR.11.97	OPGW (Ø12mm)	450	3.1	12	13	L.H.	0.13
3	AR.13.35-D	OPGW (Ø13.35mm)	450	3.1	13.35	13	L.H.	0.13
4	AR.13.50-D	OPGW (Ø13.50mm)	450	3.1	13.5	13	L.H.	0.13
5	AR.13.50-D2	OPGW (Ø13.50mm)	450	3.1	13.5	13	R.H.	0.13
6	AR.14.90-D	OPGW (Ø14.90mm)	450	3.1	14.9	15	R.H.	0.15
7	AR.16.00-D	OPGW (Ø16mm)	450	3.1	16	15	R.H.	0.15
8	AR.17.00-D	OPGW (Ø17mm)	450	3.1	17	16	R.H.	0.16
9	AR.18.10-D	OPGW (Ø18.10mm)	450	3.1	18.1	17	R.H.	0.17
10	AR.20.61	OPGW (Ø20.6mm)	450	4.2	20.6	16	L.H.	0.29

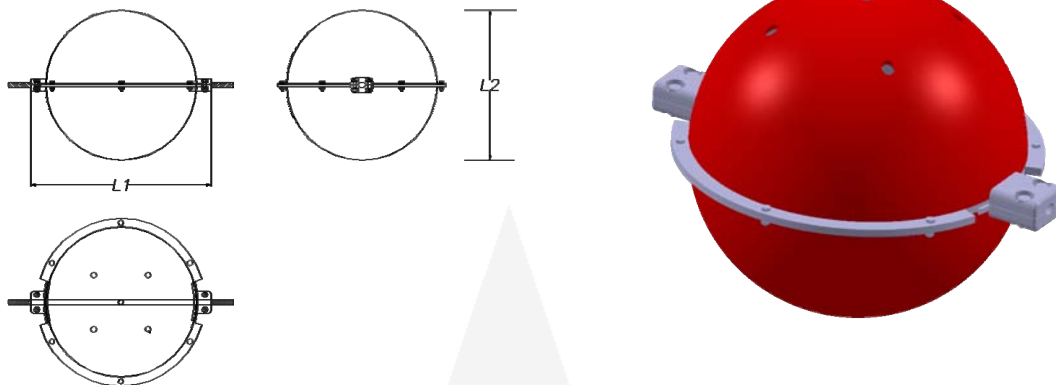
ALDA MANUFACTURING CO.

No. 7, Maryam Alley, Hakim Highway, Tehran-Iran ■ Postal Code: 1473666751

Tel: (+9821) 44003214-6 ■ Fax: (+9821) 44003217

Email: Info@AldaCompany.com

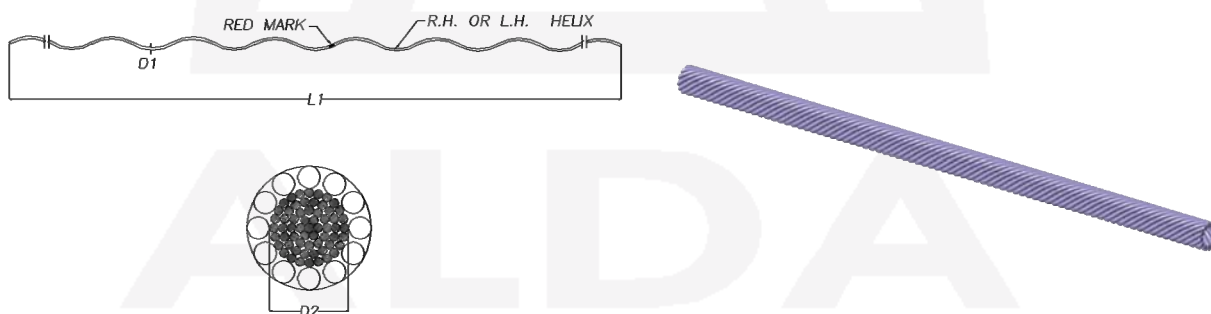
## WARNING SPHERES



No.	Part No.	Conductor Range (mm)	Dimensions (mm)		Weight (Kg)
			L1	L2	
1	WB.50.20	Ø16 ~ Ø21	645	500	3.54
2	WB.50.25	Ø21 ~ Ø26	645	500	3.54
3	WB.50.30	Ø26 ~ Ø31	645	500	3.54
4	WB.60.20	Ø16 ~ Ø21	745	600	4.04
5	WB.60.25	Ø21 ~ Ø26	745	600	4.04
6	WB.60.30	Ø26 ~ Ø31	745	600	4.04

## ARMOUR RODS

For warning spheres



No.	Part No.	Conductor	Dimensions (mm)			No. Of Rods Per Set	Lay Direction	Weight Per Set (Kg)
			L1	D1	D2			
1	AR.09.92	OPGW (Ø10.5mm)	1000	3.1	10.5	11	L.H.	0.25
2	AR.11.98	OPGW (Ø12mm)	1000	3.1	12	13	L.H.	0.29
3	AR.13.35-W	OPGW (Ø13.35mm)	1000	3.1	13.35	13	L.H.	0.29
4	AR.13.50-W	OPGW (Ø13.50mm)	1000	3.1	13.5	13	L.H.	0.29
5	AR.13.50-W2	OPGW (Ø13.50mm)	1000	3.1	13.5	13	R.H.	0.29
6	AR.16.00-W	OPGW (Ø16mm)	1000	3.1	16	15	R.H.	0.33

**ALDA MANUFACTURING CO.**

No. 7, Maryam Alley, Hakim Highway, Tehran-Iran ■ Postal Code: 1473666751

Tel: (+9821) 44003214-6 ■ Fax: (+9821) 44003217

Email: [Info@AldaCompany.com](mailto:Info@AldaCompany.com)