

PARALLEL GROOVE CLAMPS

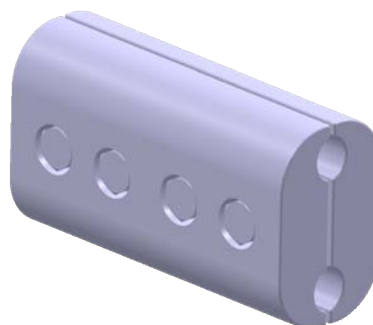
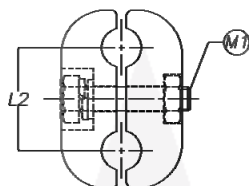
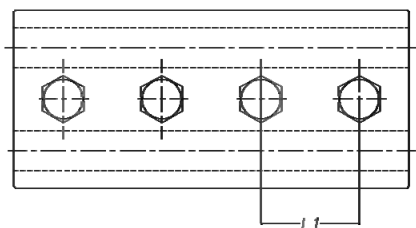


ALDA

PARALLEL GROOVE CLAMPS

For aluminum conductors

Type 1



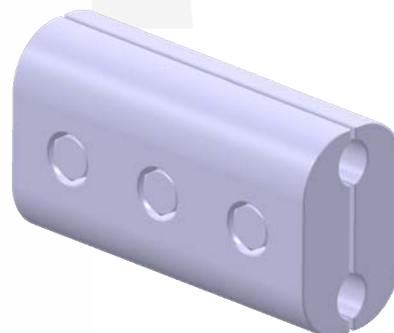
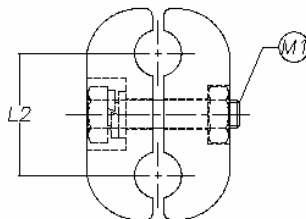
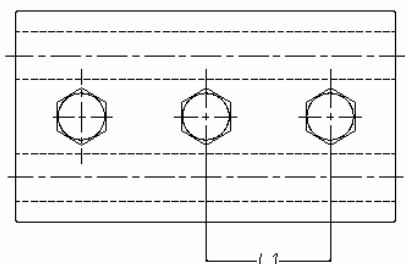
No.	Part No.	Conductor Range (mm)	Dimensions (mm)		M1	Weight (Kg)
			L1	L2		
1	PG.300.300.3.X	Ø21.8~Ø36.2	50	50	12	1.9

Specific requirements for each conductor, including conductor seat dimensions shall be considered.

PARALLEL GROOVE CLAMPS

For aluminum conductors

Type 2



No.	Part No.	Conductor Range (mm)	Dimensions (mm)		M1	Weight (Kg)
			L1	L2		
1	PG.300.300.2.X	Ø21.8~ Ø36.2	50	50	12	1.36

Specific requirements for each conductor, including conductor seat dimensions shall be considered.

ALDA MANUFACTURING CO.

No. 7, Maryam Alley, Hakim Highway, Tehran-Iran ■ Postal Code: 1473666751

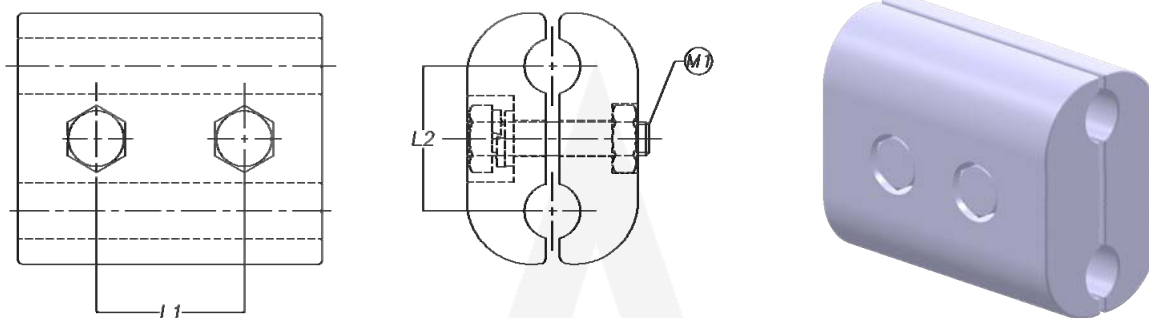
Tel: (+9821) 44003214-6 ■ Fax: (+9821) 44003217

Email: Info@AldaCompany.com

PARALLEL GROOVE CLAMPS

For aluminum conductors

Type 3



No.	Part No.	Conductor Range (mm)	Dimensions (mm)		M1	Weight (Kg)
			L1	L2		
1	PG.300.300.X	Ø21.8~ Ø36.2	50	50	12	0.83

Specific requirements for each conductor, including conductor seat dimensions shall be considered.

ALDA

ALDA MANUFACTURING CO.

No. 7, Maryam Alley, Hakim Highway, Tehran-Iran ■ Postal Code: 1473666751

Tel: (+9821) 44003214-6 ■ Fax: (+9821) 44003217

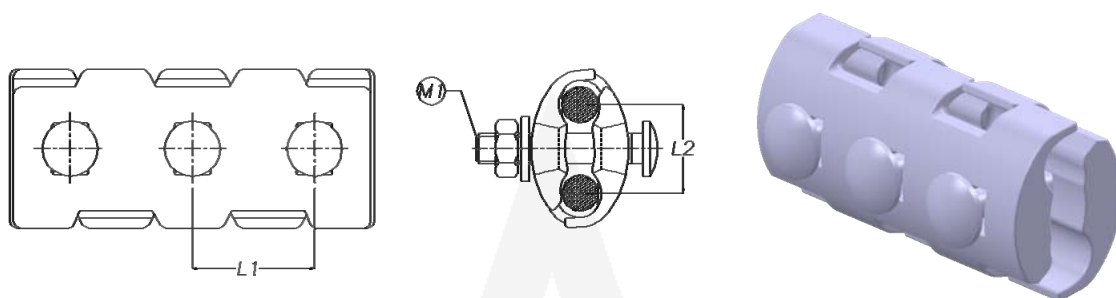
Email: Info@AldaCompany.com



PARALLEL GROOVE CLAMPS

For aluminum & alumoweld conductors

Type 1



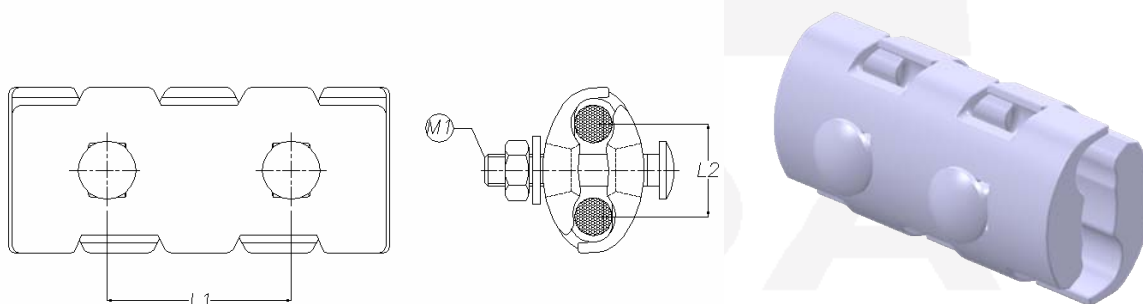
No.	Part No.	Conductor Range (mm)	Dimensions (mm)		M1	Weight (Kg)
			L1	L2		
1	PG.218.218.3	Ø7.5 ~ Ø21.8	48.5	32	12	0.8

Specific requirements for each conductor, including conductor seat dimensions shall be considered.

PARALLEL GROOVE CLAMPS

For aluminum & alumoweld conductors

Type 2



No.	Part No.	Conductor Range (mm)	Dimensions (mm)		M1	Weight (Kg)
			L1	L2		
1	PG.218.218.2	Ø7.5 ~ Ø21.8	70	32	12	0.71

Specific requirements for each conductor, including conductor seat dimensions shall be considered.

ALDA MANUFACTURING CO.

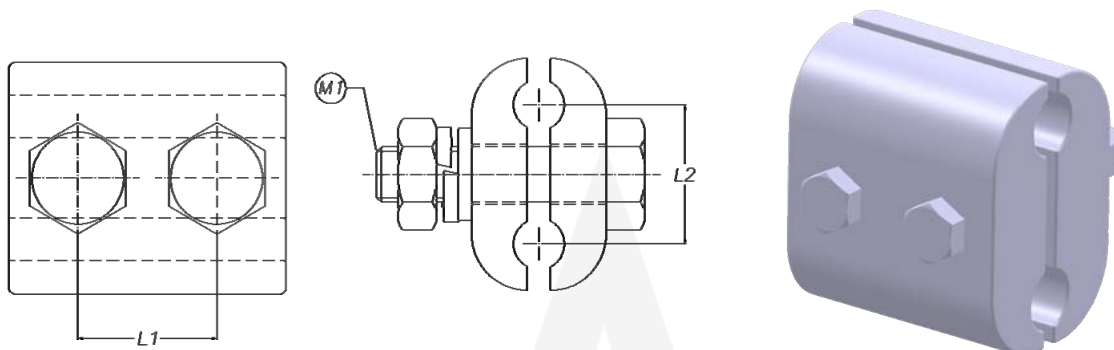
No. 7, Maryam Alley, Hakim Highway, Tehran-Iran ■ Postal Code: 1473666751

Tel: (+9821) 44003214-6 ■ Fax: (+9821) 44003217

Email: Info@AldaCompany.com

PARALLEL GROOVE CLAMPS

For aluminum & alumoweld earth wires

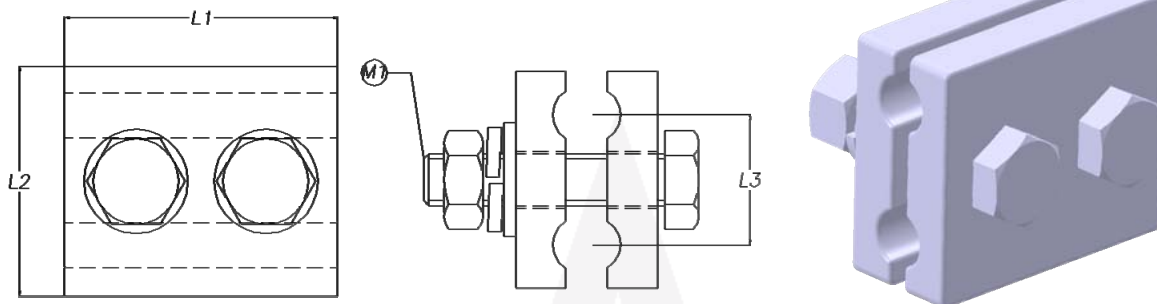


No.	Part No.	Conductor Range (mm)	Dimensions (mm)		M1	Weight (Kg)
			L1	L2		
1	PG.90.90.3	Ø8 ~ Ø12.5	30	30	10	0.25

ALDA

PARALLEL GROOVE CLAMPS

For copper earth wires

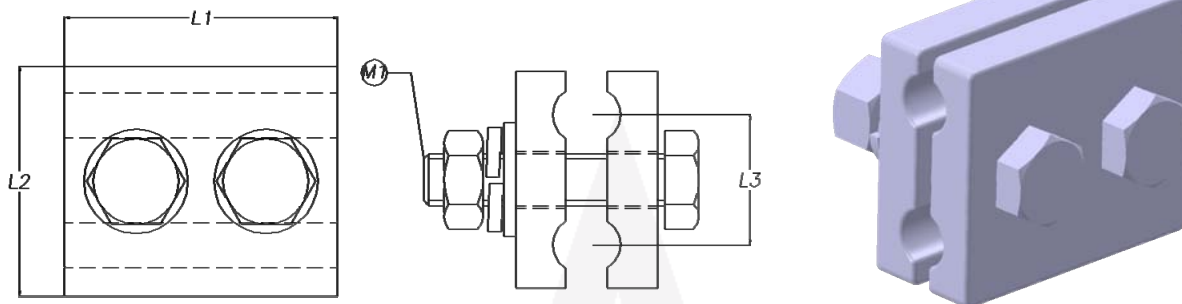


No.	Part No.	Conductor Range (mm)	Dimensions (mm)			M1	Weight (Kg)
			L1	L2	L3		
1	PG.12.12.BR	Ø7.5 ~ Ø12.5	60	60	30	12	0.71

ALDA

PARALLEL GROOVE CLAMPS

For galvanized earth wires



No.	Part No.	Conductor Range (mm)	Dimensions (mm)			M1	Weight (Kg)
			L1	L2	L3		
1	PG.12.12.ST	Ø8 ~ Ø12.5	60	50	30	12	0.63

ALDA