



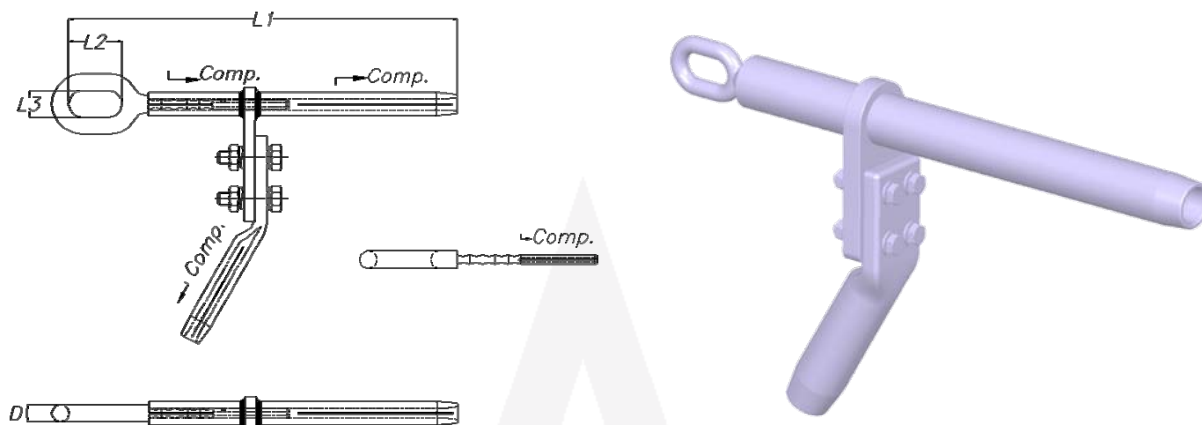
TENSION CLAMPS & JOINTS

ALDA

COMPRESSION DEAD END CLAMPS

For ACSR conductors

Type 1



No.	Part No.	Conductor	Dimensions (mm)				Weight (Kg)
			L1	L2	L3	D	
1	DE.01.01.11	FOX	365	50	25	16.5	1.12
2	DE.02.25.11	HYENA	385	50	25	16.5	1.32
3	DE.03.05.11	DORKING	420	50	25	16.5	1.73
4	DE.03.08.11	PARTRIDGE	420	50	25	16.5	1.63
5	DE.04.02.11	105/75mm ²	425	50	25	16.5	2.27
6	DE.04.04.11.2	WOLF	425	50	25	16.5	2
7	DE.04.05.11	LINNET	425	50	25	16.5	1.89
8	DE.04.11.11.3	LYNX	425	50	25	16.5	2.03
9	DE.05.09.11.7	HAWK	470	50	25	16.5	2.41
10	DE.05.23.11	DOVE	480	50	25	16.5	2.14
11	DE.24.00	300/39mm ²	510	50	25	16.5	4.51
12	DE.06.03.11	PEACOCK	520	50	25	16.5	3.33
13	DE.06.04.11	300/50mm ²	515	50	25	16.5	3.21
14	DE.06.06.11.2	SQUAB	510	50	25	16.5	3.06
15	DE.06.13.11	TEAL	505	50	25	16.5	3.23
16	DE.27.50	ACSR 400/51mm ²	540	50	25	16.5	3.81
18	DE.07.13.12.1	ACK 400/51mm ²	540	50	25	16.5	3.89
17	DE.07.13.12	CONDOR	540	50	25	16.5	3.84
19	DE.08.03.11.4	CANARY	615	50	25	16.5	4.36

See the next page

ALDA MANUFACTURING CO.

No. 7, Maryam Alley, Hakim Highway, Tehran-Iran ■ Postal Code: 1473666751

Tel: (+9821) 44003214-6 ■ Fax: (+9821) 44003217

Email: Info@AldaCompany.com

COMPRESSION DEAD END CLAMPS

For ACSR conductors

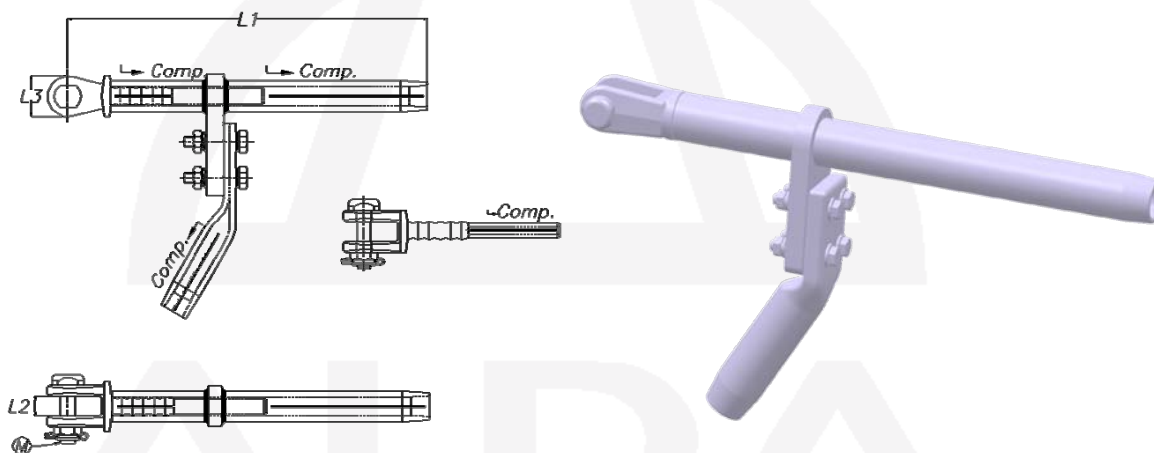
Type 1

NO.	Part No.	Conductor	Dimensions (mm)				Weight (Kg)
			L1	L2	L3	D	
20	DE.08.04.11	RAIL	615	50	25	16.5	4.56
21	DE.08.11.12	500/64mm ²	605	50	25	16.5	4.64
22	DE.08.15.11.3	CURLEW	605	50	25	16.5	4.61
23	DE.08.26.11	550/70mm ²	615	50	25	16.5	4.51
24	DE.09.15.11	MARTIN	720	50	25	16.5	8.57
25	DE.10.11.11	BITTERN	640	50	25	16.5	6.57

COMPRESSION DEAD END CLAMPS

For ACSR conductors

Type 2



No.	Part No.	Conductor	Dimensions (mm)			M	Weight (Kg)
			L1	L2	L3		
1	DE.02.20.14.1	HORSE	380	22	45	16	1.64
2	DE.02.25.13	HYENA	360	22	45	16	1.6
3	DE.04.04.14.1	WOLF	400	22	45	16	2.15
4	DE.04.05.14	LINNET	400	22	45	16	2.15

See the next page

ALDA MANUFACTURING CO.

No. 7, Maryam Alley, Hakim Highway, Tehran-Iran ■ Postal Code: 1473666751

Tel: (+9821) 44003214-6 ■ Fax: (+9821) 44003217

Email: Info@AldaCompany.com

COMPRESSION DEAD END CLAMPS

For ACSR conductors

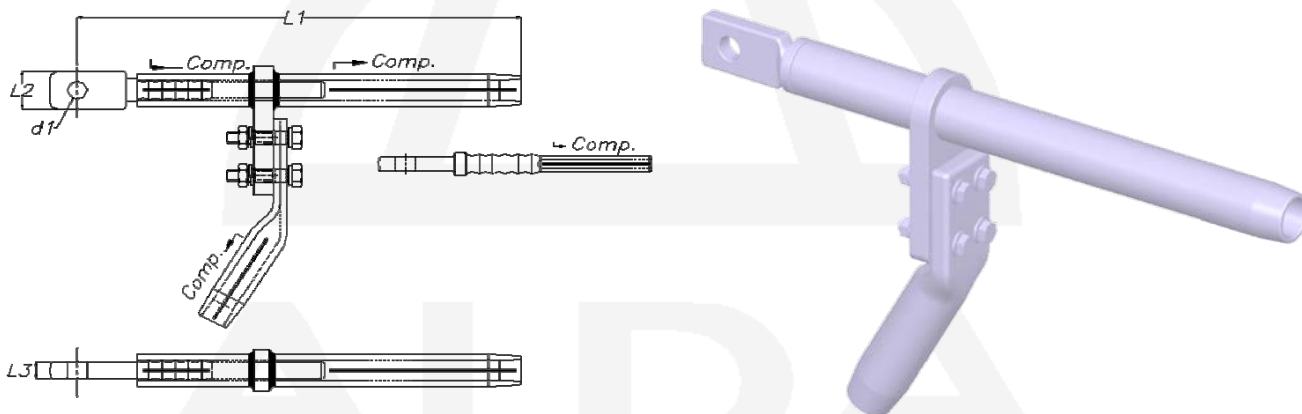
Type 2

No.	Part No.	Conductor	Dimensions (mm)			M	Weight (Kg)
			L1	L2	L3		
5	DE.04.07.14	ORIOLE	420	22	45	16	2.32
6	DE.04.11.15.1	LYNX	400	22	45	16	2.29
7	DE.05.09.13.1	HAWK	445	22	45	16	2.67
8	DE.06.06.14	SQUAB	480	22	45	16	3.56
9	DE.07.21.11.4	DRAKE	536	24	50	18	5.3
10	DE.08.03.14.1	CANARY	606	24	50	20	5.21
11	DE.08.07.14.1	CARDINAL	596	24	50	20	5.73
12	DE.08.15.14.7	CURLEW	596	24	50	20	5.51
13	DE.09.15.14.1	MARTIN	720	24	50	22	9.35

COMPRESSION DEAD END CLAMPS

For ACSR conductors

Type 3



No.	Part No.	Conductor	Dimensions (mm)				Weight (Kg)
			L1	L2	L3	d1	
1	DE.04.11.16	LYNX	405	40	15	18	2.04
2	DE.05.09.12.1	HAWK	450	40	15	18	2.45
3	DE.06.06.13	SQUAB	490	40	15	18	3.36
4	DE.08.15.12.3	CURLEW	580	50	17	22	4.76
5	DE.08.26.12	550/70mm ²	600	50	17	22	4.44

ALDA MANUFACTURING CO.

No. 7, Maryam Alley, Hakim Highway, Tehran-Iran ■ Postal Code: 1473666751

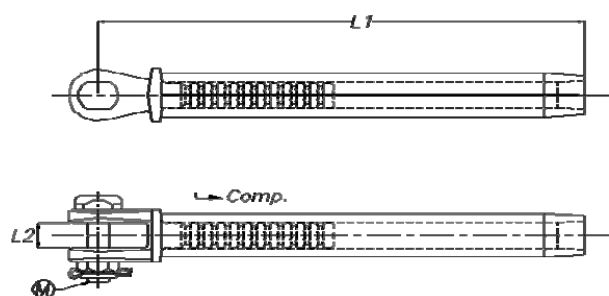
Tel: (+9821) 44003214-6 ■ Fax: (+9821) 44003217

Email: Info@AldaCompany.com

COMPRESSION DEAD END CLAMPS

For AAC & AAAC conductors

Type 1



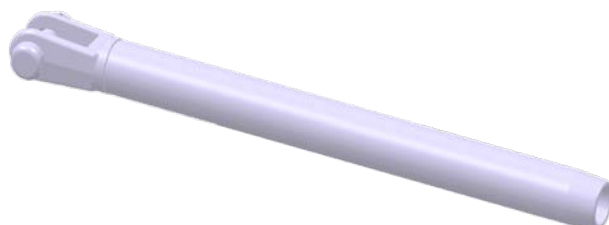
Aluminium Tube



Before compression



After compression



No.	Part No.	Conductor	Dimensions (mm)		M	Weight (Kg)
			L1	L2		
1	DE.228.01	228 mm ² (Ø19.6)	370	22	16	1.35
2	DE.300.01	300 mm ² (Ø22.6)	400	22	16	1.58
3	DE.400.01	400 mm ² (Ø26.1)	426	24	16	2.66
4	DE.500.01	500 mm ² (Ø29.1)	426	24	16	2.92
5	DE.625.01	625 mm ² (Ø32.6)	426	24	16	2.95
6	DE.800.03	800 mm ² (Ø36.9)	466	24	20	3.87
7	DE.1000.04	1000mm ² (Ø41.1)	546	24	20	6.25

ALDA

ALDA MANUFACTURING CO.

No. 7, Maryam Alley, Hakim Highway, Tehran-Iran ■ Postal Code: 1473666751

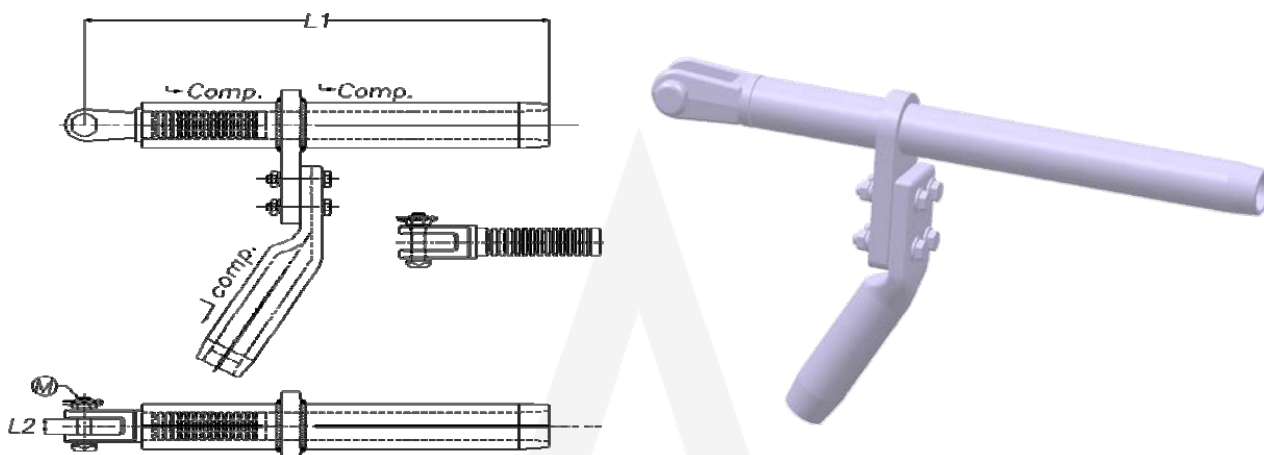
Tel: (+9821) 44003214-6 ■ Fax: (+9821) 44003217

Email: Info@AldaCompany.com

COMPRESSION DEAD END CLAMPS

For AAC & AAAC conductors

Type 2



No.	Part No.	Conductor	Dimensions (mm)		M	Weight (Kg)
			L1	L2		
1	DE.400.08	400mm ² (Ø26.1)	476	24	16	4.14
2	DE.500.02	500mm ² (Ø29.1)	476	24	16	4.86
3	DE.625.02	625mm ² (Ø32.6)	476	24	16	4.85
4	DE.800.06	800mm ² (Ø36.9)	536	24	20	6.53
5	DE.1000.05	1000mm ² (Ø41.1)	616	24	20	11.4

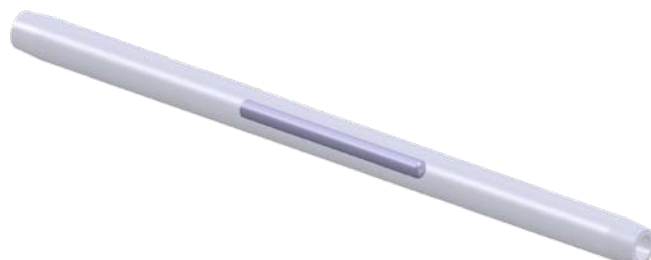
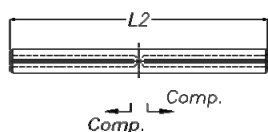
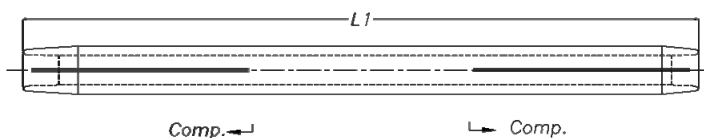
ALDA MANUFACTURING CO.

No. 7, Maryam Alley, Hakim Highway, Tehran-Iran ■ Postal Code: 1473666751

Tel: (+9821) 44003214-6 ■ Fax: (+9821) 44003217

Email: Info@AldaCompany.com

MID SPAN JOINTS
For ACSR conductors



No.	Part No.	Conductor	Dimensions (mm)		Weight (Kg)
			L1	L2	
1	MJ.08.37	FOX	460	140	0.44
2	MJ.10.05	RABBIT	490	140	0.65
3	MJ.02.21.1	DOG	490	140	0.54
4	MJ.02.25	HYENA	490	140	0.55
5	MJ.16.03	DORKING	520	200	0.91
6	MJ.16.28	PARTRIDGE	520	180	0.8
7	MJ.17.45	105/75mm ²	570	220	1.49
8	MJ.04.05	LINNET	600	160	1.03
9	MJ.04.11.5	LYNX	570	200	1.13
10	MJ.05.09.4	HAWK	630	200	1.5
11	MJ.23.55	DOVE	630	200	1.35
12	MJ.24.00	300/39mm ²	680	200	1.88
13	MJ.06.06.2	SQUAB	680	220	1.94
14	MJ.25.24	TEAL	680	220	1.96
15	MJ.27.68	ACK 400/51mm ²	730	220	2.42
16	MJ.27.72	CONDOR	730	200	2.31
17	MJ.28.11.1	DRAKE	730	220	2.38
18	MJ.08.03.3	CANARY	860	230	3.18
19	MJ.29.61	RAIL	860	180	3
20	MJ.30.42.1	CARDINAL	850	220	3.18
21	MJ.30.60.2	490/65mm ²	850	220	3.11

See the next page

ALDA MANUFACTURING CO.

No. 7, Maryam Alley, Hakim Highway, Tehran-Iran ■ Postal Code: 1473666751

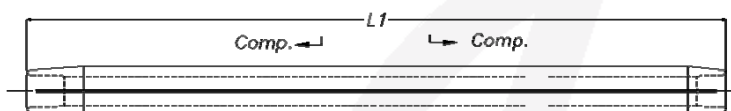
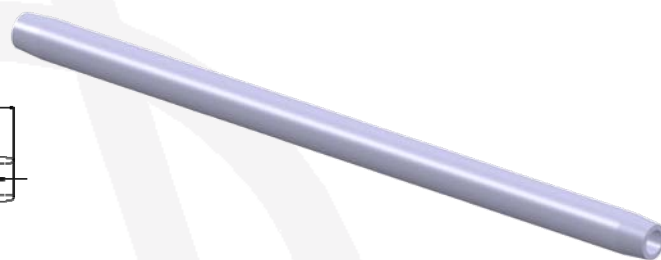
Tel: (+9821) 44003214-6 ■ Fax: (+9821) 44003217

Email: Info@AldaCompany.com

MID SPAN JOINTS
For ACSR conductors

No.	Part No.	Conductor	Dimensions (mm)		Weight (Kg)
			L1	L2	
22	MJ.08.15.1	CURLEW	850	220	2.98
23	MJ.32.40	550/70mm ²	890	250	3.29
24	MJ.34.17	BITTERN	940	200	5.64
25	MJ.09.15.14.1	MARTIN	1080	220	6.24
26	MJ.40.70	CHUKAR	1200	220	5.85

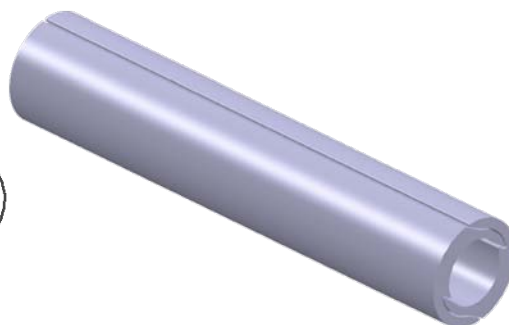
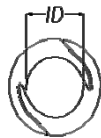
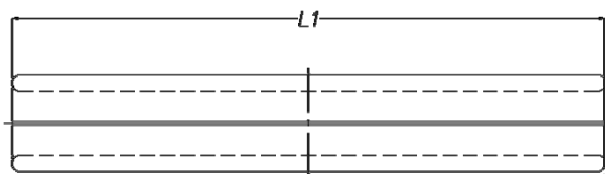
MID SPAN JOINTS
For AAC & AAAC conductors



No.	Part No.	Conductor	Dimensions (mm)	Weight (Kg)
			L1	
1	MJ.15.75	ASTER 148mm ² (Ø15.75)	420	0.56
2	MJ.19.60	ASTER 228mm ² (Ø19.6)	490	0.745
3	MJ.24.92	MCM 725 (Ø24.92)	610	1.41
4	MJ.28.15	GREELEY	660	1.75
5	MJ.30.38	ACAR 547.8mm ²	800	3.22
6	MJ.30.51	551mm ²	800	3.22
7	MJ.31.05	ASTER 570mm ² (Ø31.05)	800	3.22

REPAIR SLEEVES

For aluminum conductors



No.	Part No.	Conductor	Dimensions (mm)		Weight (Kg)
			L1	ID	
1	RS.02.25	HYENA	180	16	0.16
2	RS.16.03	DORKING	220	17.5	0.28
3	RS.16.28	PARTRIDGE	220	17.5	0.28
4	RS.17.45	105/75 mm ²	220	19	0.37
5	RS.04.11.1	LYNX	220	21	0.34
6	RS.19.60	ASTER 228mm ² (Ø19.6)	180	21	0.27
7	RS.05.09	HAWK	180	23	0.35
8	RS.24.00	300/39 mm ² (Ø24)	250	25.5	0.59
9	RS.24.20	300/50 mm ²	250	26	0.58
10	RS.06.06	SQUAB	250	26	0.58
11	RS.25.24	TEAL	250	26.5	0.57
12	RS.28.11	DRAKE	250	29.5	0.66
13	RS.28.15	GREELEY	250	29.5	0.66
14	RS.08.03	CANARY	275	31	0.89
15	RS.30.38	547.8 mm ²	270	32	1.08
16	RS.30.60	500/64 mm ² (Ø30.60)	250	32	0.78
17	RS.30.60.2	490/65mm ² (Ø30.60)	250	32	0.78
18	RS.08.15	CURLEW	300	33	0.9
19	RS.32.40	550/70 mm ²	300	33.5	0.88
20	RS.34.17	BITTERN	270	35.5	1.48
21	RS.09.15	MARTIN	300	37.5	1.56
22	RS.40.70	CHUKAR (Ø40.70)	330	42	1.46

ALDA MANUFACTURING CO.

No. 7, Maryam Alley, Hakim Highway, Tehran-Iran ■ Postal Code: 1473666751

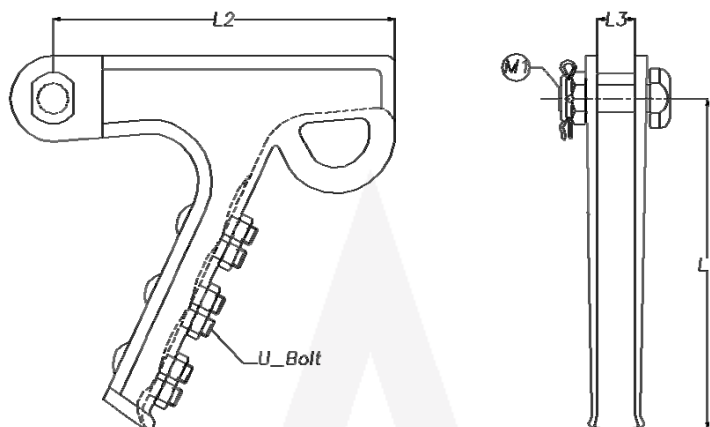
Tel: (+9821) 44003214-6 ■ Fax: (+9821) 44003217

Email: Info@AldaCompany.com

BOLTED TYPE STRAIN CLAMPS

For aluminum conductors

Type 1

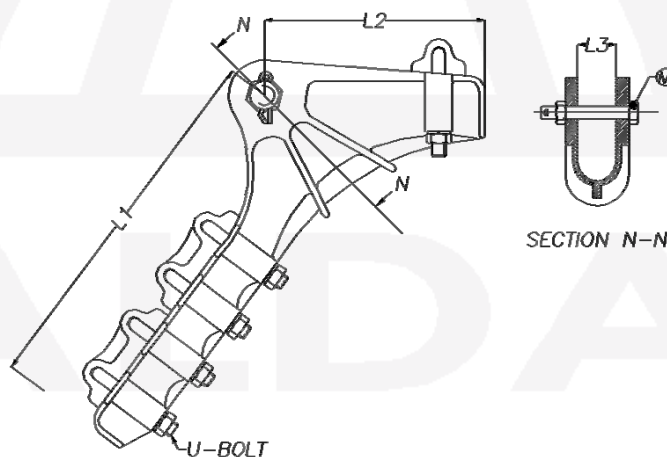


No.	Part No.	Conductor Range (mm)	Dimensions (mm)			M1	U-Bolt	Weight (Kg)
			L1	L2	L3			
1	DEN.10.01.AI	Ø8 ~ Ø21	128	200	22	16	M12	1.6

BOLTED TYPE STRAIN CLAMPS

For aluminum conductors

Type 2



No.	Part No.	Conductor Range (mm)	Dimensions (mm)			M	U-Bolt	Weight (Kg)
			L1	L2	L3			
1	DEN.25.5.1	Ø14.57 ~ Ø24.51	365	190	25	18	M12	4.75
2	DEN.45.5.1	Ø 25 ~ Ø43.9	435	280	45	18	M14	7

ALDA MANUFACTURING CO.

No. 7, Maryam Alley, Hakim Highway, Tehran-Iran ■ Postal Code: 1473666751

Tel: (+9821) 44003214-6 ■ Fax: (+9821) 44003217

Email: Info@AldaCompany.com